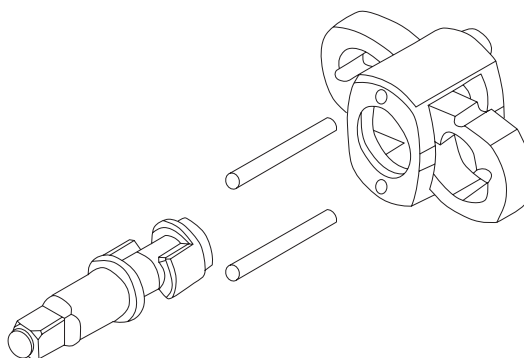




**PRODUCT FEATURES**

Impact mechanism with a double hammer clutch. Left / right direction switch. 3 tightening torque positions and 1 loosening one. Downward air inlet in the handle. Body made from composite, handle covered with rubber. Universal quick coupling 1/4".



1/2"
max 810 Nm
n:7000/min
6,3 bar
133 l/min
TWIN HAMMER
R/L
CE

CODE	SQUARE	MAX. TORQUE [NM]	
66371	1/2"	810	10