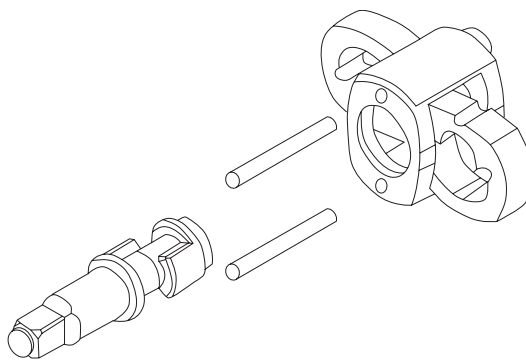




PRODUCT FEATURES

Impact mechanism with a double hammer clutch. Left / right direction switch. 3 tightening torque positions and 1 loosening one. Downward air inlet in the handle. Body made from composite, handle covered with rubber. Universal quick coupling 1/4".



1/2"
max 1145 Nm
n.:7000/min
6,2 bar
198 l/min
TWIN HAMMER
R/L
CE

CODE	SQUARE	MAX. TORQUE [NM]	
66372	1/2"	1145	10